

Compressor

MacGregor Air-cooled piston compressor L9, L14



Structural features

- Two staged cylinders in 90° V-arrangement, with one-throw crankshaft, single acting trunk pistons
 - 1st stage: 1 cylinder
 - 2nd stage: 1 cylinder

Valves

- Combined suction and pressure valves for both stages

Air cooling

- By radial fan directly driven by the crankshaft

Intercooler and aftercooler

- Finned pipes

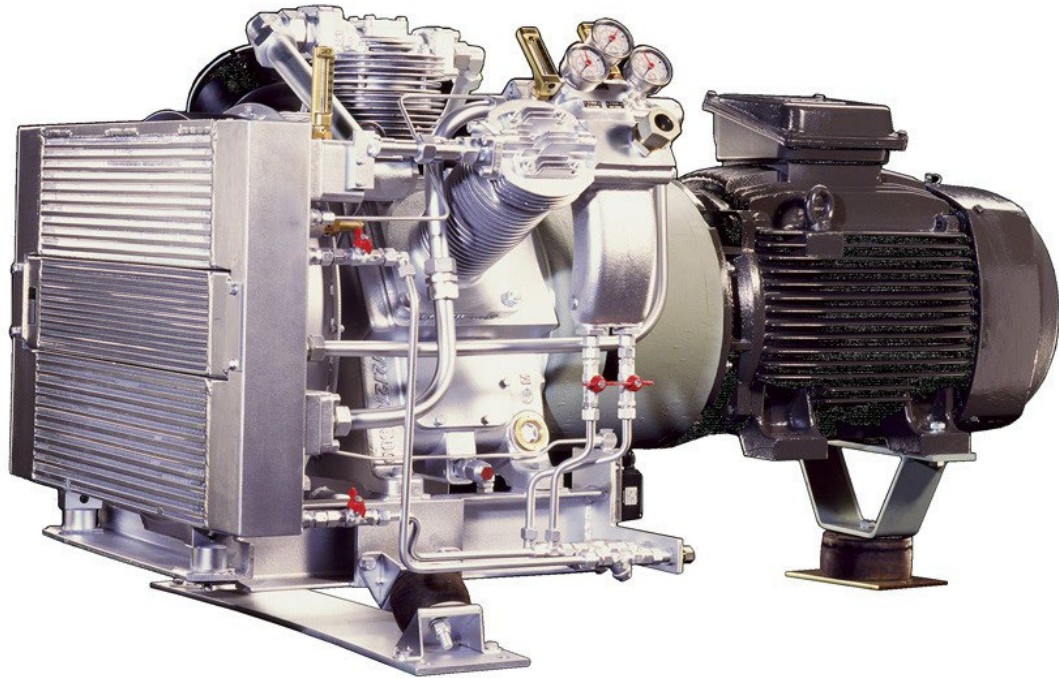
Splash lubrication

- Oil level inspection glass
- Crankcase venting from oil filler to air suction filter

Bearings

- Crankshaft: cylinder roller bearings
- Connecting rod: needle roller bearings
- Wrist pin: needle roller bearings

HATLAPA Air-cooled piston compressor L140, L160, L190



Structural features

- Three staged cylinders in 2 x 60° W-arrangement, with one-throw crankshaft, single acting trunk pistons
 - 1st stage: 1 cylinder
 - 2nd stage: 1 cylinder
 - 3rd stage: 1 cylinder

Valves

- Combined suction and pressure valves for all stages

Air cooling

- By axial fan directly driven by the crankshaft

Intercooler and aftercooler

- Block type

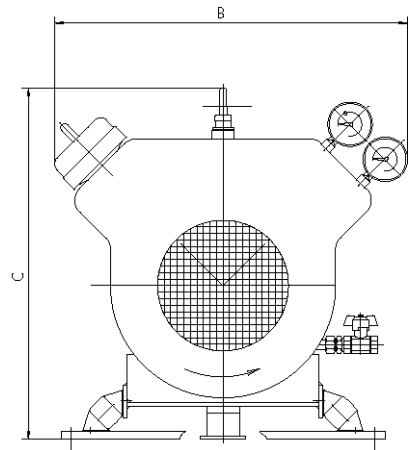
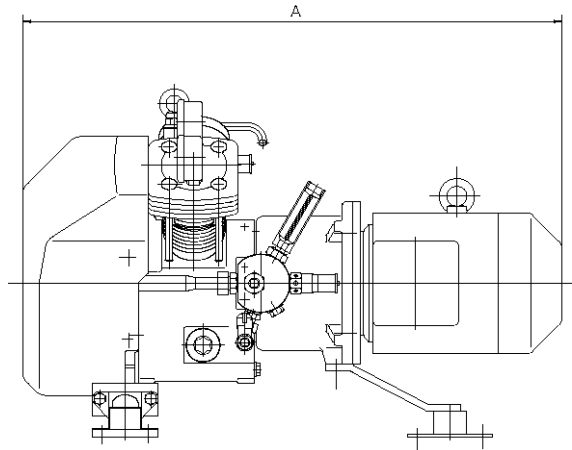
Force feed lubrication

- Gear pump driven by the crankshaft by means of gear wheels
- Oil pressure control by means of pressure gauge and pressure switch
- Oil level inspection glass
- Crankcase venting from oil filler to air suction filter
- Oil filtration by external, exchangeable oil filter insert

Bearings

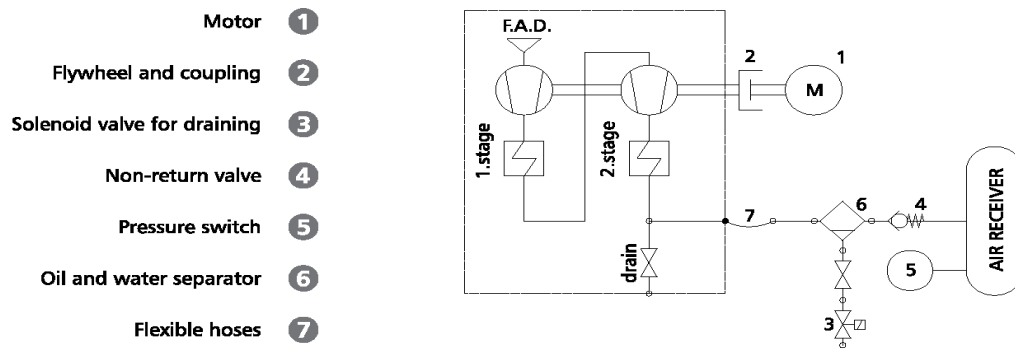
- Crankshaft: slide bearings
- Connecting rod: slide bearings
- Wrist pin : needle bearings

Technical data



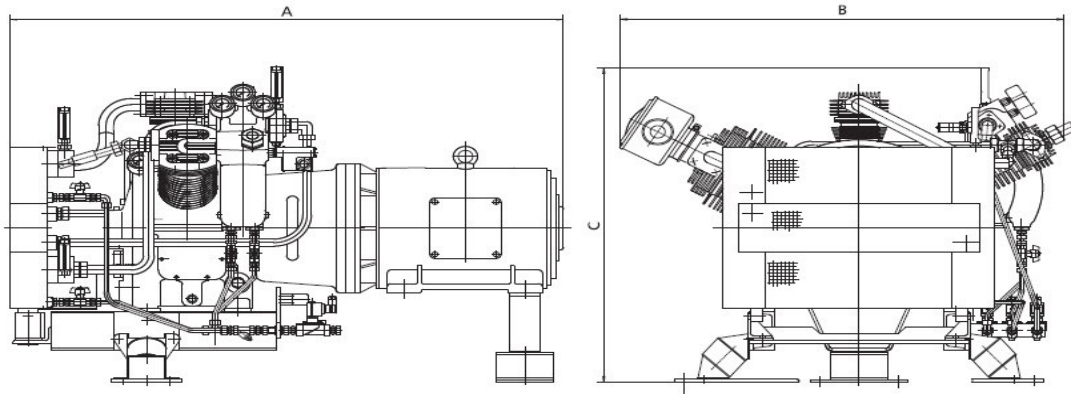
Type	Cylinders	Stage	Speed r.p.m.	F.A.D m ³ /h	Power kW	Weight incl. e-motor approx. kg	Dimensions		
							A	B	C
L9	2	2	1150	6.6	1.7	120	820	540	540
			1450	8.7	2.3	120	820	540	540
			1750	10.5	2.8	120	820	540	540
L14	2	2	1150	10.5	2.7	140	840	540	540
			1450	14	3.5	140	840	540	540
			1750	17	4.2	140	840	540	540

All data apply to a final pressure of 30 bar. The right for alteration of specification and data to incorporate improvements in design is reserved.



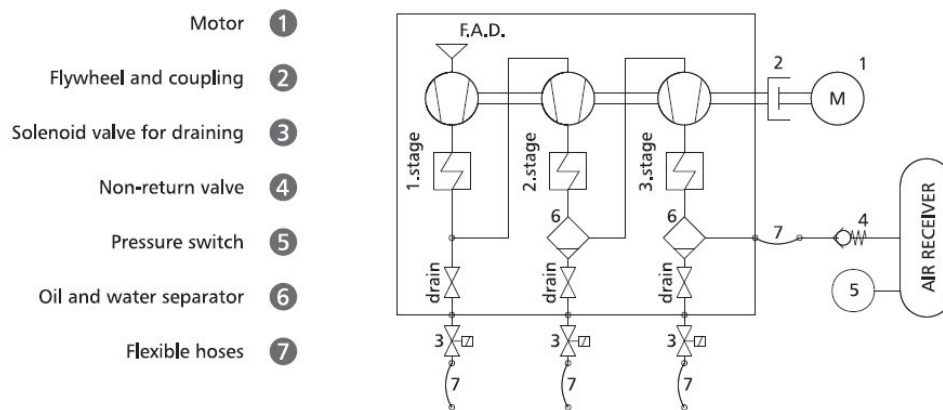
2014

Technical data



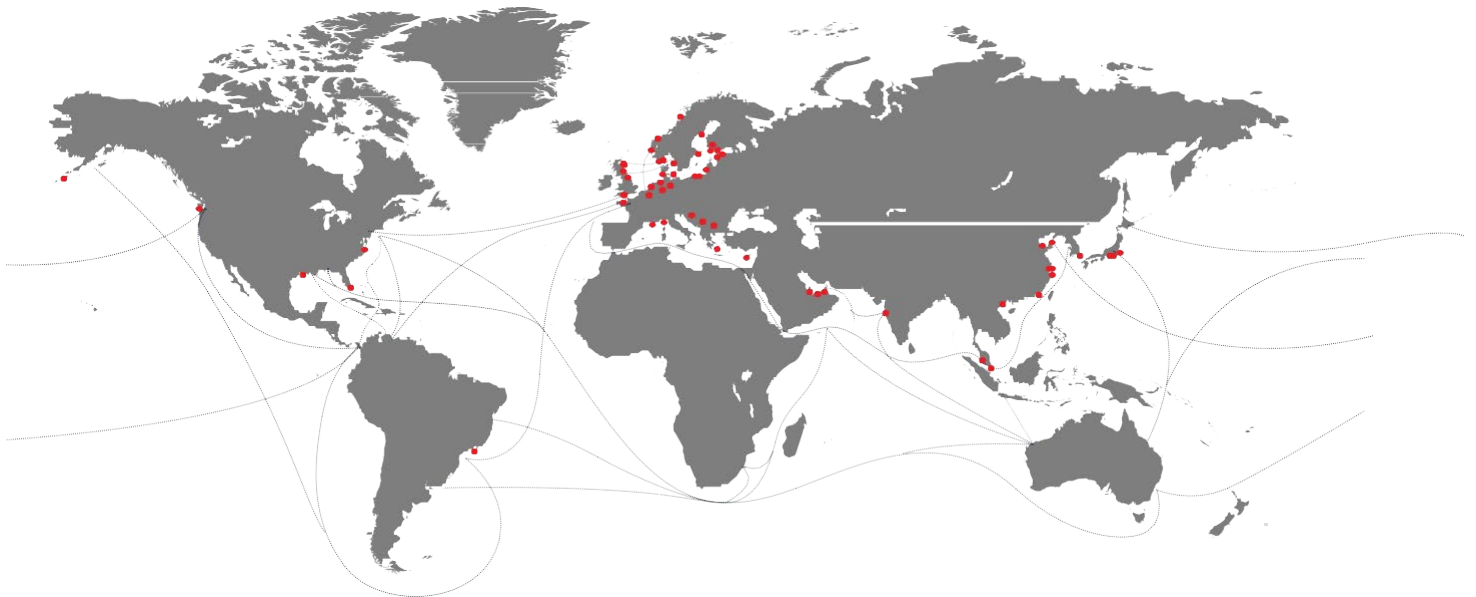
Type	Cylinders	Stage	Speed r.p.m.	F.A.D m ³ /h	Power kW	Weight incl. e-motor approx. kg	Dimensions		
							A	B	C
L140	3	3	1150	100	19.5	700	1540	1150	950
			1450	127	26.8	700	1540	1150	950
			1750	154	33.5	700	1540	1150	950
L160	3	3	1150	118	23	750	1675	1150	1050
			1450	151	30	750	1675	1150	1050
			1750	185	40	850	1675	1150	1050
L190	3	3	1150	135	25	750	1675	1150	1050
			1450	175	34.5	850	1675	1150	1050
			1750	215	46.5	900	1675	1150	1050

All data apply to a final pressure of 30 bar. The right for alteration of specification and data to incorporate improvements in design is reserved.



Wherever needed, you can rely on our support.
 We serve our customers globally:

- Ankerlökken Marine
- Allset
- ASCA
- Becker
- BMH
- Conver-OSR
- Grampian Hydraulics
- Flintstone
- Greer Marine
- Hamworthy
- Hatlapa
- Hydramarine
- Hägglunds
- Interschalt
- KGW
- KYB - ASCA
- KYB - Kayaba Industries / Navire Cargo Gear
- Luezhoe
- MacGregor
- MacGregor-Conver
- MacGregor-Hägglunds
- MacGregor-Kayaba
- MacGregor-Navire
- Navire Cargo Gear
- NMF
- Nordströms
- Ozean Service & Reparatur
- Platform Crane Services (PCS)
- Plimsoll
- Pusnes
- Porsgrunn
- Rapp
- Triplex
- TTS
- Vestnorsk Hydraulikkservice (VNH)



MacGregor is a leader in sustainable maritime cargo and load handling with a strong portfolio of products, services and solutions, all designed to perform with the sea.

Shipbuilders, shipowners and operators are able to optimise the lifetime profitability, safety, reliability and environmental sustainability of their operations by working in close cooperation with MacGregor.

MacGregor is part of Cargotec (Nasdaq Helsinki: CGCBV).

Published by MacGregor. Copyright © MacGregor May 2024. All rights reserved. No part of this publication may be reproduced, stored, photocopied, recorded or transmitted without permission of the copyright owner.

MacGregor
 spares.cx@macgregor.com
 www.macgregor.com

